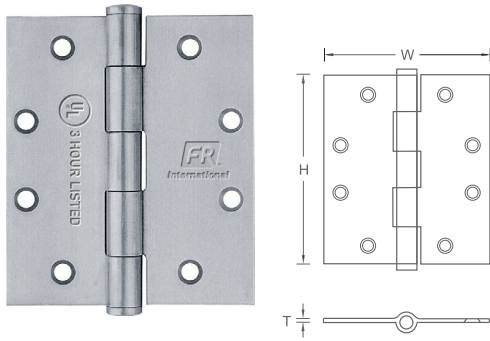
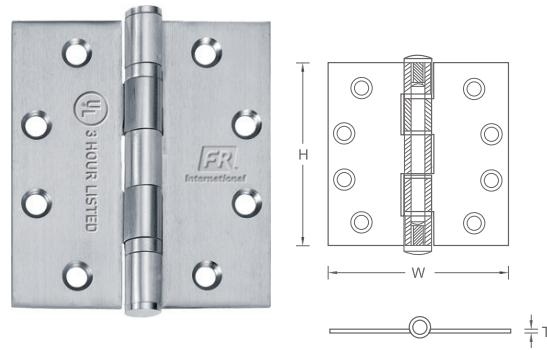


Architectural Hinges



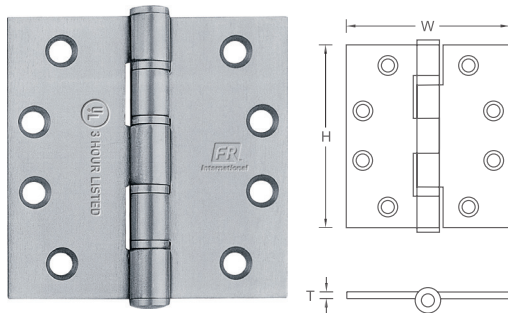
Hinge Plain

Model No.	Dimensions (H, W, T)
HP3X3X3.0MM	3" x 3" x 3.0 mm
HP3.5X3.5X3.0MM	3.5" x 3.5" x 3.0 mm
HP4X3X3.0MM	4" x 3" x 3.0 mm
HP4X4X3.3MM	4" x 4" x 3.3 mm
HP4.5X4.5X3.5MM	4.5" x 4.5" x 3.5 mm
HP5X4X3.5MM	5" x 4" x 3.5 mm



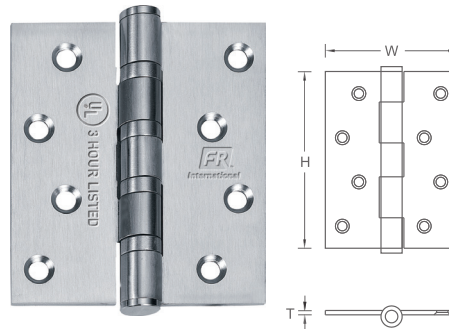
2BB Hinge

Model No.	Dimensions (H, W, T)	UL Listed
2BBH4X3X3.0MM	4" x 3" x 3.0 mm	✓
2BBH4X4X3.0MM	4" x 4" x 3.0 mm	✓
2BBH4.5X4.5X4.6MM	4.5" x 4.5" x 4.6 mm	✓
2BBH5X4X3.0MM	5" x 4" x 3.0 mm	



Stainless Steel Washer Hinge

Model No.	Dimensions (H, W, T)
SSW4X4X2.0MM	4" x 4" x 2.0 mm
SSW4X4X2.5MM	4" x 4" x 2.5 mm
SSW3.5X3.5X3.0MM	3.5" x 3.5" x 3.0 mm
SSW4X3X3.0MM	4" x 3" x 3.0 mm
SSW4X4X3.0MM	4" x 4" x 3.0 mm
SSW5X3X3.0MM	5" x 3" x 3.0 mm



4BB Hinge

Model No.	Dimensions (H, W, T)	UL Listed
4BBH4X3X3.0MM	4" x 3" x 3.0 mm	✓
4BBH4X4X3.0MM	4" x 4" x 3.0 mm	✓
4BBH4.5X4.5X4.6MM	4.5" x 4.5" x 4.6 mm	✓
4BBH5X4X3.0MM	5" x 4" x 3.0 mm	

Hinges are available in 304 and 316 grade steel and various BHMA finishes. Additional sizes are also available. Contact FR International for more information.



3 HOUR LISTED